



RIDGEWAY

BELFAST: +44 (0) 28 90454599

ASHBOURNE: +353 (01) 802 7173

EMAIL: INFO@RIDGEWAY-ONLINE.COM

WEBSITE: WWW.RIDGEWAY-ONLINE.COM

STAIR TREAD GUIDANCE

This guidance is to help you select a tread that is compliant with the British Standard – BS4592-0 2006+A1 2012. This document acts as guidance only and is not exhaustive. You should satisfy yourself that the product specified complies with all aspects of the standard prior to ordering your stair tread.

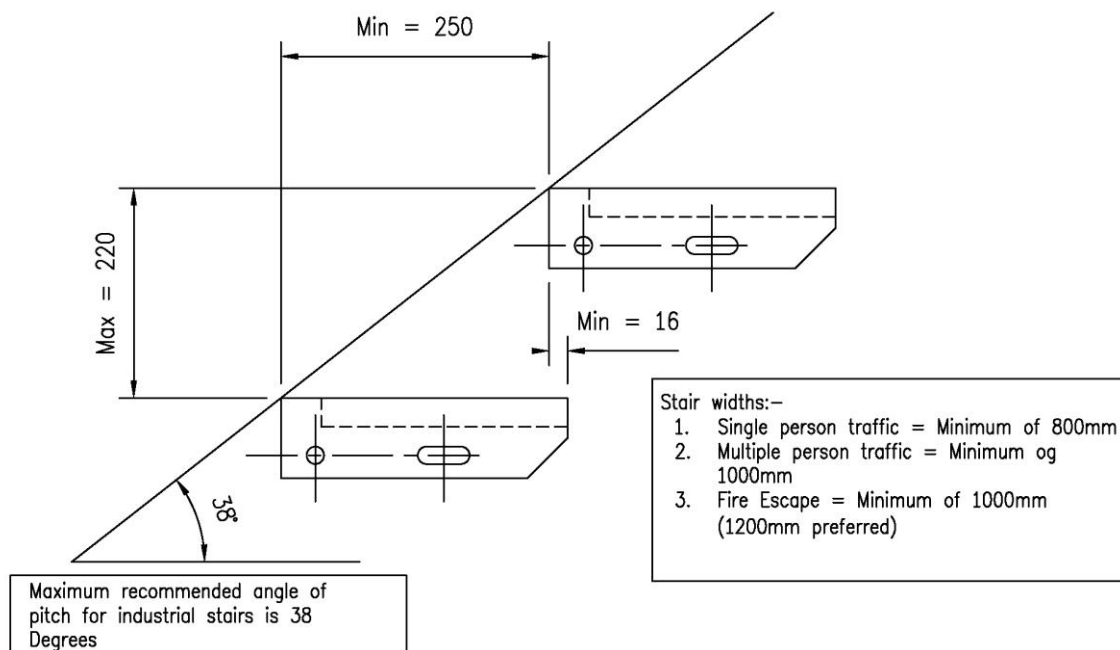
Key Design Requirements

- Treads are required to have a minimum going of 250mm plus 16mm overlap meaning treads with a depth less than 266mm do not comply with the British standard
- Where metal treads or landings are used for fire escapes, the gratings shall not allow the passage of a **20 mm diameter ball**.
- Where stairs are **used as a means of escape**, the minimum stair clear width shall be **1000mm** unless supplied for hospitals which shall have a minimum clear width of **1200mm**.

Definitions

- **Clear Stair width**
 - Distance between handrails or any other obstruction either side of strings
- **Tread Length**
 - Distance between stair strings (+0/-2mm)

Diagram 1: Requirements of the British Standards



TREAD WIDTHS

Ridgeway Tread Widths are determined by the mesh size. Select the relevant width to suit your application

Standard tread Widths						
Grating Type	Tread Width	End Plate Width	Tread Width	End Plate Width	Tread width	End Plate Width
LK 20mm BP (3mm)	277mm	280mm	300mm	310mm	320mm	335mm
LK 20mm BP (5mm)	275mm	280mm	300mm	310mm	322mm	335mm
LK 35mm BP (3mm)	n/a	n/a	296mm	310mm	333mm	335mm
LK 35mm BP (5mm)	270mm	280mm	306mm	310mm	n/a	/a

*Other sizes are available on request

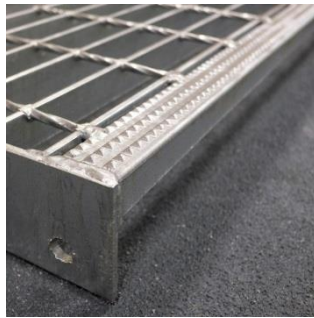
Ridgeway Lengths

<u>Nosing Type</u>	<u>Bearing Bar size</u>	<u>Ball Proof Grating</u>	<u>Maximum Length</u>
<u>Pyramid</u>	<u>25x3</u>	<u>35mm BP</u>	<u>1200mm</u>
<u>Pyramid</u>	<u>25x5</u>	<u>35mm BP</u>	<u>1200mm</u>
<u>Pyramid</u>	<u>25x3</u>	<u>20mm BP</u>	<u>1200mm</u>
<u>Pyramid</u>	<u>25x5</u>	<u>20mm BP</u>	<u>1200mm</u>
<u>Durbar</u>	<u>25x3</u>	<u>35mm BP</u>	<u>620mm</u>
<u>Durbar</u>	<u>25x5</u>	<u>35mm BP</u>	<u>770mm</u>
<u>Durbar</u>	<u>40x3</u>	<u>35mm BP</u>	<u>1125mm</u>
<u>Durbar</u>	<u>40x5</u>	<u>35mm BP</u>	<u>1200mm</u>
<u>Durbar</u>	<u>25x3</u>	<u>20mm BP</u>	<u>825mm</u>
<u>Durbar</u>	<u>25x5</u>	<u>20mm BP</u>	<u>955mm</u>
<u>Durbar</u>	<u>40x3</u>	<u>20mm BP</u>	<u>1210mm</u>
<u>Durbar</u>	<u>30x5</u>	<u>20mm BP</u>	<u>1180mm</u>
<u>Yellow Gritted</u>	<u>25x3</u>	<u>35mm BP</u>	<u>1200mm</u>
<u>Yellow Gritted</u>	<u>25x5</u>	<u>35mm BP</u>	<u>1200mm</u>
<u>Yellow Gritted</u>	<u>25x3</u>	<u>20mm BP</u>	<u>1200mm</u>
<u>Yellow Gritted</u>	<u>25x5</u>	<u>20mm BP</u>	<u>1210mm</u>

Durbar



Liongrip



High Vis



Is Your Stair being used as a means of escape?

NO

Yes

35mm Ball Proof is Acceptable

20mm Ball Proof Required

- 600mm Clear stair width = occasional one-way use
- 800mm Clear Width = Regular one-way use or occasional two-way use
- 1000mm = Regular 2 way use

Minimum clear stair width = 1000mm

Select nosing to suit tread length

Select nosing to suit tread length

1. Calculate the angle and pitch of your stair
2. Select LK Standard tread width that provides a minimum 250mm going plus 16mm overlap

1. Calculate the angle and pitch of your stair
2. Select LK Standard tread width that provides a minimum 250mm going plus 16mm overlap

Select your surface type

Plain = Slip Resistant

Serrated = Enhanced Slip Resistant

Select your surface type

Plain = Slip Resistant

Serrated = Enhanced Slip Resistant

Tread Selection						
Quantity	Width	Length	Bearing Bar Size	Nosing Type	Ball Proof	Surface Type