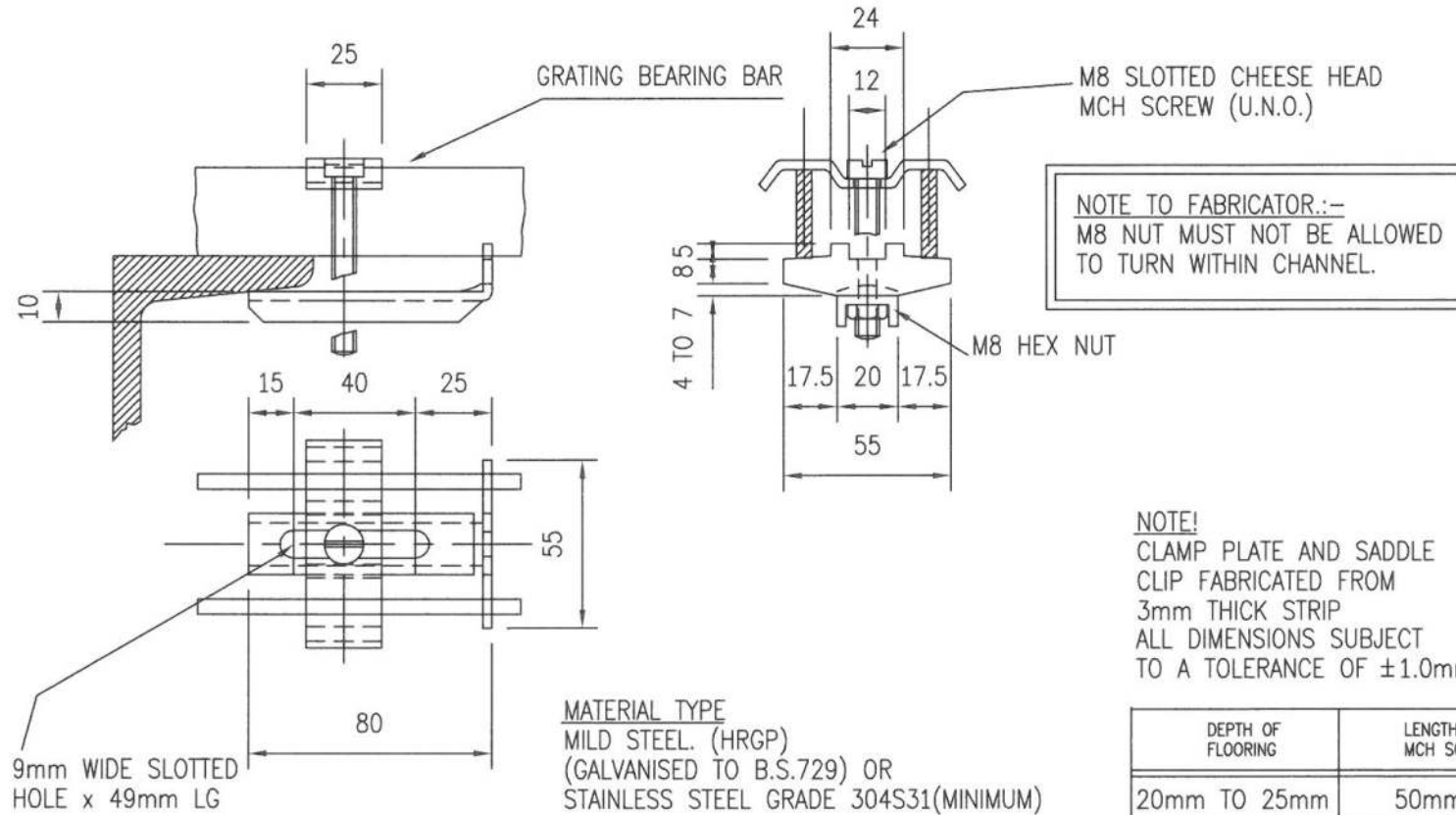


MATERIAL:

FINISH:



NOTE!
CLAMP PLATE AND SADDLE CLIP FABRICATED FROM 3mm THICK STRIP
ALL DIMENSIONS SUBJECT TO A TOLERANCE OF $\pm 1.0\text{mm}$

DEPTH OF FLOORING	LENGTH OF MCH SCREW
20mm TO 25mm	50mm
30mm TO 35mm	60mm
40mm TO 45mm	70mm
50mm	80mm

MATERIAL TYPE
MILD STEEL. (HRGP)
(GALVANISED TO B.S.729) OR
STAINLESS STEEL GRADE 304S31(MINIMUM)

TYPE "5" FIXING CLIP DETAIL
FOR OPEN TYPE GRATING



103 Airport Road West
Belfast
BT3 9ED
Tel: 02890 454599

DO NOT SCALE

IF IN DOUBT ASK

REF. DRGS.

SUBJECT STANDARD TYPE 5 CLIP ASSEMBLY

FIXING CLIPS
SADDLE/STANDARD

No OFF	TYPE	No OFF	TYPE

SCALE 1:20
DRAWN BY RSC DATE 16/08/10
CHECKED BY AC APPROVED L.Mc.
DRG. No. LKFL-STD-75 00

CLIENT:

ISSUE	DATE	ISSUE	DATE	ISSUE	DATE
02		01		00	

ISSUED FOR

05.09.09