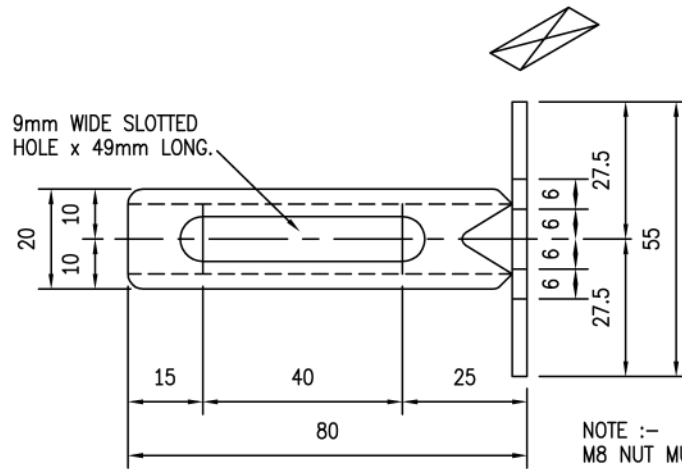


MATERIAL:

FINISH:

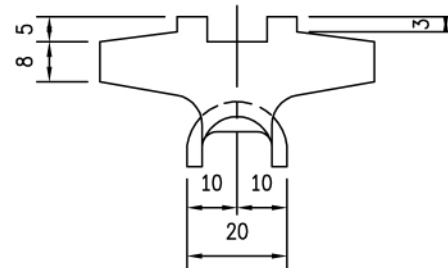
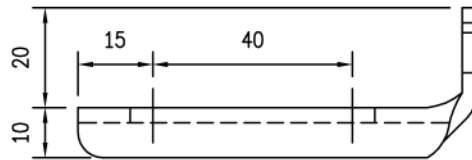


FABRICATED OUT OF 3.0mm THICK MATERIAL.

ALL DIMENSIONS SUBJECT TO A TOLERANCE OF ± 1.0 mm.

IF REQUIRED, MATERIAL CAN BE OUT OF STAINLESS STEEL GRADE 304S31 MINIMUM.

NOTE :-
M8 NUT MUST NOT BE ALLOWED TO TURN WITHIN THE CHANNEL.



MATERIAL :- LOW CARBON STEEL (HRGP).
FINISH :- HOT DIPPED GALVANISED.

DETAILS OF TYPE '5' FIXING CLIP FOR OPEN BAR GRATING.



103 Airport Road West
Belfast
BT3 9ED
Tel: 02890 454599

DO NOT SCALE

IF IN DOUBT ASK

REF. DRGS.

SUBJECT STANDARD TYPE 5 BOTTOM PLATE

FIXING CLIPS
SADDLE/STANDARD

No OFF	TYPE	No OFF	TYPE

SCALE 1:20 No. OF PANELS

DRAWN BY RSC DATE 16/08/10

CLIENT:

ISSUE	DATE	ISSUE	DATE
02		01	

ISSUED FOR

DATE

05.09.09

CHECKED BY AC APPROVED L.Mc.

DRG. No. LKFL-STD-63 00